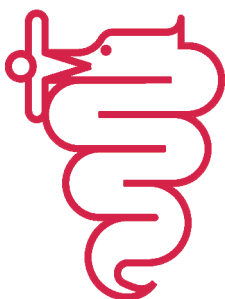


# MAGICA



**BEZZERA**

Dal 1901

**COD. 9942049.04**

**REV.02**

TABLE 1

POS	CODE	DESCRIPTION
1	5163205.01CM	CUP-HEATER
2	5074631LW	CUPS-HEATER GRID STAINLESS STEEL POLISHED
3	7818603	TAPPING SCREW M4X13
4	7474212	ADHESIVE FEET
5	5056301LW	CUPS-HEATER TANK
6	7816002	SCREW TCEI M4X12
7	5344023.01	BODY STAINLESS STEEL POLISHED
8	5340003.05LL	MAGICA PM CHASSIS
8	5340019LL	MAGICA PM PID CHASSIS
9	7474218	FOOT
10	5340513	DRIP TRAY STAINLESS STEEL POLISHED
11	5074617LW	DRIP TRAY GRID STAINLESS STEEL POLISHED
13	7809804	PLAIN WASHER D4
14	5961727	ASSEMBLY CUPS-HEATER

TABLE 1

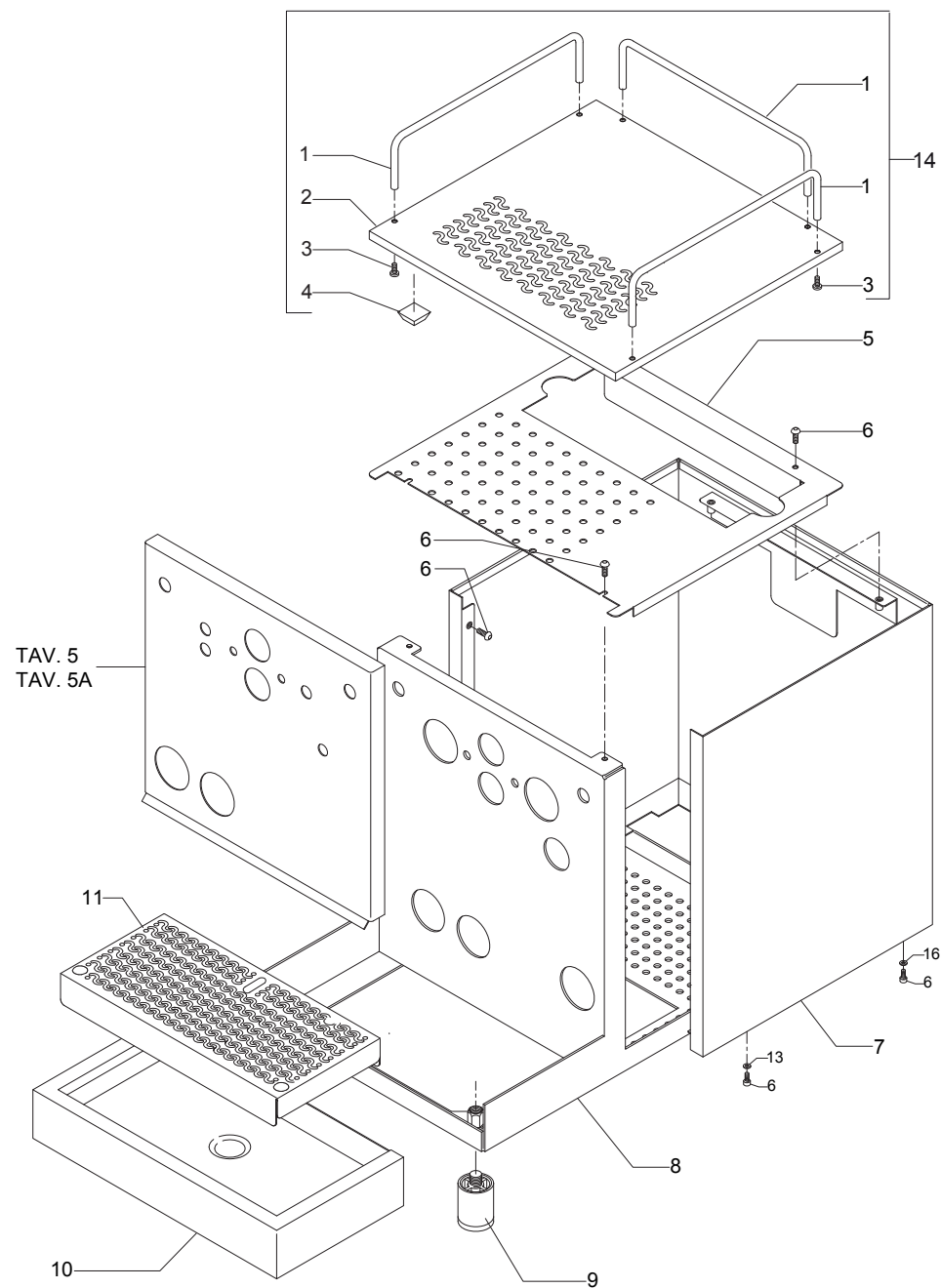


TABLE 2

POS	CODE	DESCRIPTION
1	7373006.03	TANK
2	7812601	NUT M4 STAINLESS STEEL
3	7374004	WASHER D4 NYLON
4	7819908	SCREW TTEI M4X8
5	5194540	HOSE 8X5 L=300 SILICONE
6	5224409	RUBBER-HOLDER D7,5
7	7496073.01	OR GASKET 115 EP856
8	5471521.01	COUPLING SPRING
9	5471509	BALL 7/32" AISI 304
10	5224617	GASKET-HOLDER D14.5 X 25 OT
11	5963009.03	ASSEMBLY TANK SUPPORT
15	5221830	NUT M20 H5 OT
16	5225228	FITTING M20 H28.5 OT
17	7826206	SCREW TCI M3X30 UNI 6107 OT
18	5225246	FITTING 1/8"G CONIC ES.10 H33 OT
19	5194529	CRISTAL HOSE D6 X 9 L=150MM
20	7611512	CLAMP
21	7731018	VIBRATION PUMP EX5 100V C/OR
21	7731019	VIBRATION PUMP EX5 120V WITH OR
21	7731022	VIBRATION PUMP EX5 220V 60HZ WITH OR
21	7731020	VIBRATION PUMP EX5 230V WITH OR
21	7731021	VIBRATION PUMP EX5 240V WITH OR
22	7303006	RUBBER-HOLDER FITTING
23	7303036TR	STRAIGHT FITTING 1/8"G OT
24	7634816	THERMIC SAFETY DEVICE 100°C AUTOMATIC
25	7470602	VIBRATION-DAMPING
27	7805009	PLAIN WASHER D5 X 11 X 1
28	7816004	SCREW TCEI M4 X 16
29	7701111	SOLENOID VALVE 2 WAY 115V PARKER
29	7702310	SOLENOID VALVE 2 WAY 230V PARKER
29	7702409	SOLENOID VALVE 2 WAY 240V PARKER
30	7630327	SOLENOID VALVE COIL 110V PARKER
30	7630328	SOLENOID VALVE COIL 220/230V PARKER
30	7630329	SOLENOID VALVE COIL 240V PARKER
32	5301504TR	UNION ELBOW 1/8"G X M12
33	7303034TR	UNION ELBOW 1/8"G OT
34	7304001TR	UNION 1/8"G
35	5221844	NUT 1/8"G H3
36	5194590	PUMP-SOLENOID VALVE HOSE
37	5162237.01LL	BOILER LOAD HOSE
38	5162236.01LL	SURPRESSION VALVE - HEAT EXCHANGER HOSE
39	7400902	PUMP PRESSURE GAUGE CAPILLARY
40	7432523	PRESSURE GAUGE D40 16BAR
46	5194592	DRAIN HOSE SURPRESSION VALVE
47	5471535	TANK SUPPORT SHAPED SPRING
48	7809806	SCREW TC M 3,5X8 PLASTITE

TABLE 2

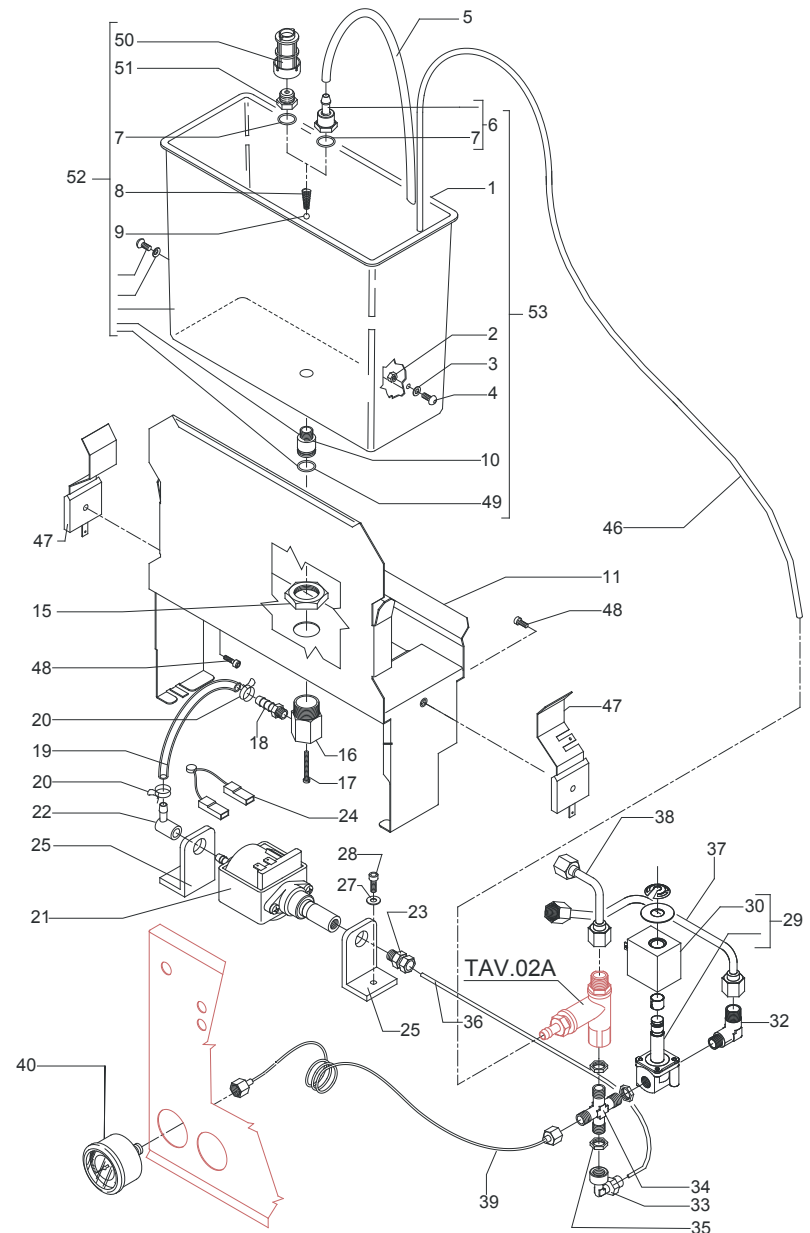




TABLE 2A (up to 30.10.12)

POS	CODE	DESCRIPTION
1	5302072	RUBBER-HOLDER FITTING
2	5471506.01	CALIBRATED SPRING D1 H26 AISI 302
3	7496052	OR GASKET 114
4	5224619TP	GASKET-HOLDER
5	7496018	OR GASKET 105 VITON
6	5283049	SURPRESSION VALVE BODY
7	5224615TP	GASKET-HOLDER
8	5471505	CALIBRATED SPRING D0.45 H22 AISI 302
9	5302017TP	STRAIGHT FITTING M12 H26.5 OT
10	5965165	ASSEMBLY SURPRESSION VALVE 12BAR
11	5493001	GASKET D8 X 4 EPT 70SH

TABLE 2A (up to 30.10.12)

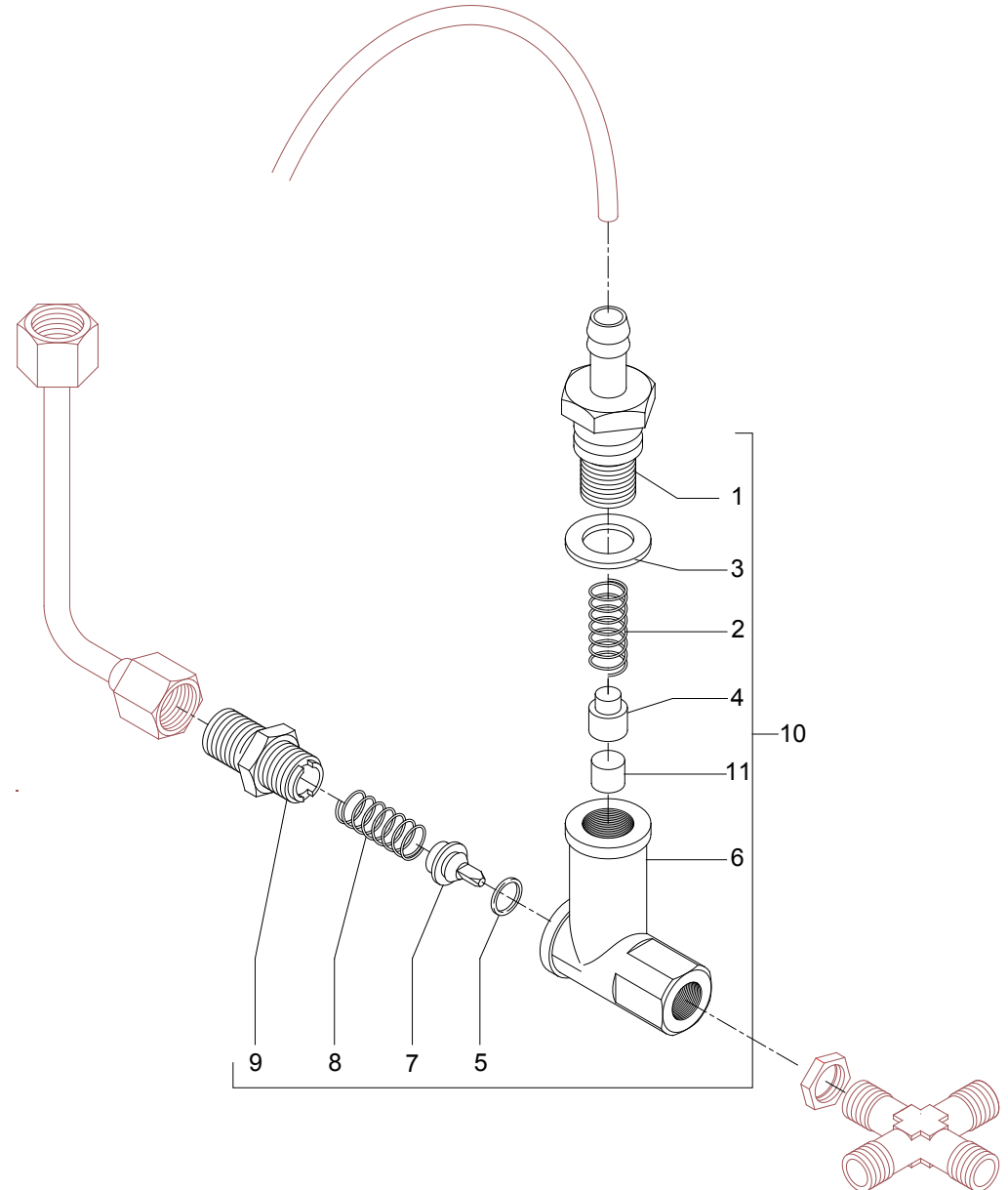








TABLE 4 (up to 28.01.14)

POS	CODE	DESCRIPTION
1	7371511.01	LEVER KNOB
2	5222823CM	RING NUT 3/8"G H17
3	5225608	ARTICULATION M8 INOX
4	5260203DL	SHAFT D12X47
5	5471513	SPRING
6	5261801	WASHER D11
7	7496072	OR GASKET 121
8	5471532	SPRING
9	5190501	COMPLETE CUP
10	7479958	ASSEMBLY STEAM HOSE TERMINAL 4 HOLES
11	7479985TW	ASSEMBLY WATER HOSE
12	5494004	GASKET D12 X 6 PTFE GRAPHITIZED
13	5964085AL	ASSEMBLY TAP
14	5221826CM	NUT 3/8"G ES.22X5
15	5283047TW	TAP BODY OT
16	7479952	UPPER ASSY PLUG
17	7479953	GASKET TF 22X17X2
18	7479954	INOX FILTER Ø8,5X22
19	7479955	INJECTOR M6X0,75 FORO Ø0,7
20	7479956	UPPER SLEEVE ASSY
21	7479933	INJECTOR Ø0.7 UPPER SLEEVE ASSY
22	7479934	GASKET OR 128 VITON
23	7479935	GASKET TF Ø35X30X2
24	7479936	DELIVERY VALVE SPRING
25	7479937	DELIVERY VALVE ASSY
26	7479940	DELIVERY GROUP BODY
27	7493011	INSULATING
28	5267013	TIE ROD M8 X 31 ASTM A193
29	7812607	NUT M8 UNI 5587 ASTM A194
30	7479938	GASKET TF Ø10X6X1
31	7479939	SCREW TCE M6X8
32	7479951	CAM STOP PIN
33	7479950	CAM SHAFT
34	7479949	CAM FLANGE ASSY
35	7371511.01	LEVER KNOB
36	7479931	DELIVERY LEVER
37	7479947	WASHER Ø8
38	7479948	CAP Ø15XM6
39	7479946	ASSEMBLY VALVE
40	7479942	SPRING GUIDE BUSHING
41	7479957	LOWER SLEEVE ASSY
42	7479943	ASSEMBLY RELIEF VALVE
43	7479944	DRAIN SPRING
44	7479945	JET-BREAKER BUSHING Ø15X6
45	7479960	GASKET TF D26x21x2
46	7479961	GROUP BOTTOM FITTING

TABLE 4 (up to 28.01.14)

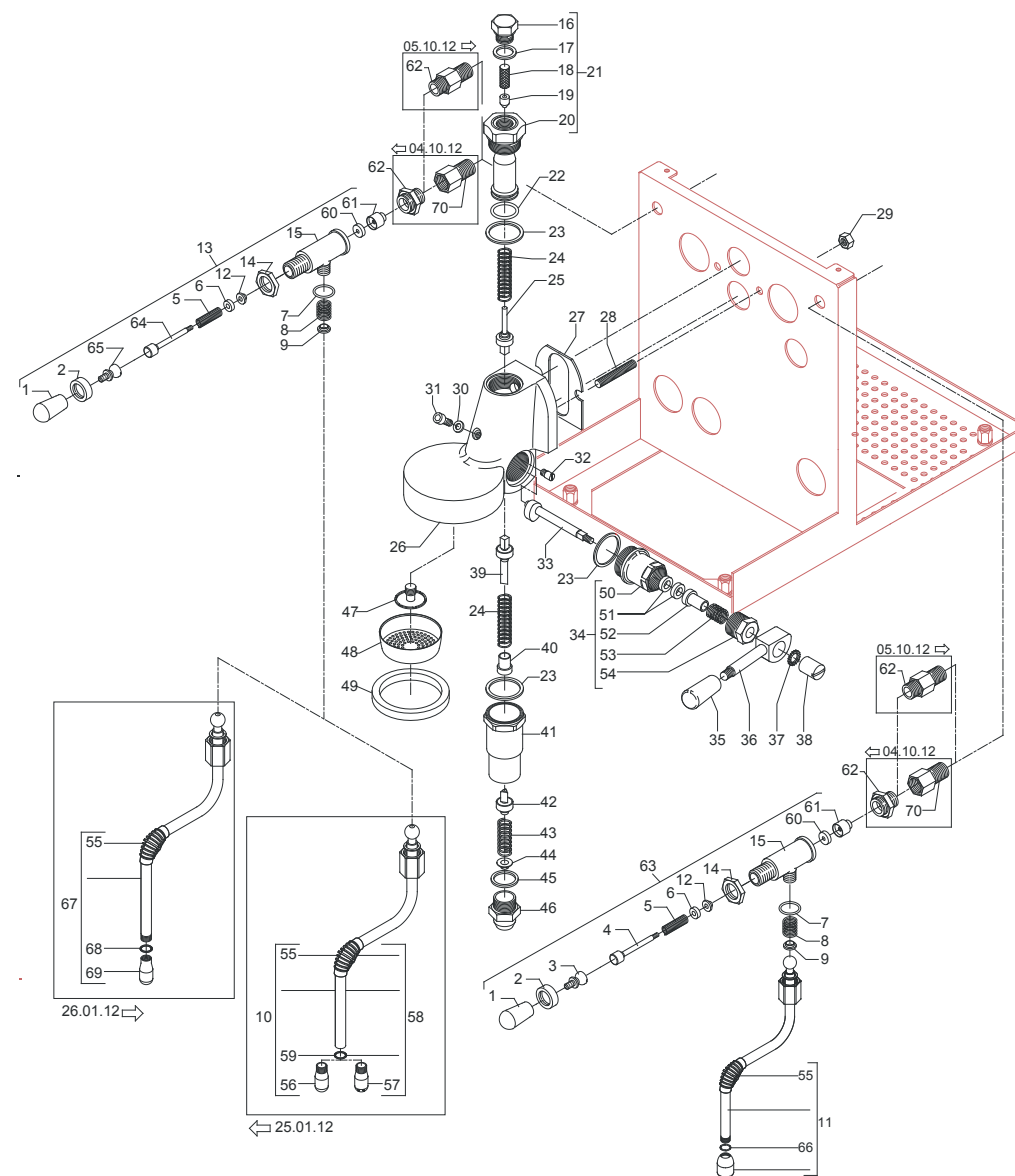




TABLE 4 (up to 28.01.14)

POS	CODE	DESCRIPTION
47	7479941	SPRAYER Ø30
48	5471022	SHOWER FILTER
49	5493039	UNDERCUP GASKET
50	7479967	CAM FLANGE
51	7479968	WASHER EP709 15,5X7,5X4
52	7479969	BUSHING
53	7479970	SPRING
54	7479971	PLUG CHROMED
55	7371003	INSULATING
56	7305010	TERMINAL 4 HOLES
57	7305013	TERMINAL 2 HOLES
58	7479975	ASSEMBLY STEAM HOSE TERMINAL 2 HOLES
59	7496083	OR GASKET D4,5X1,5 NBR70
60	5496042	GASKET D11X4X4 EPT 70 (C6)
61	5224603TP	GASKET-HOLDER
62	5225410TP	FITTING M14XM13 H26 (up to 04.10.2012)
62	5302079	FITTING M14XM13 (from 05.10.2012)
63	5964084AL	ASSEMBLY TAP
64	5260204DL	SHAFT D12X47
65	5225610	ARTICULATION M8 INOX
66	7496084	GASKET
67	7479990TW	ASSEMBLY STEAM HOSE TERMINAL 2 HOLES
68	7496084	GASKET
69	7305014	TERMINAL 2 HOLES
70	5302064	FITTING M/F M13x1 (up to 04.10.2012)

TABLE 4 (up to 28.01.14)

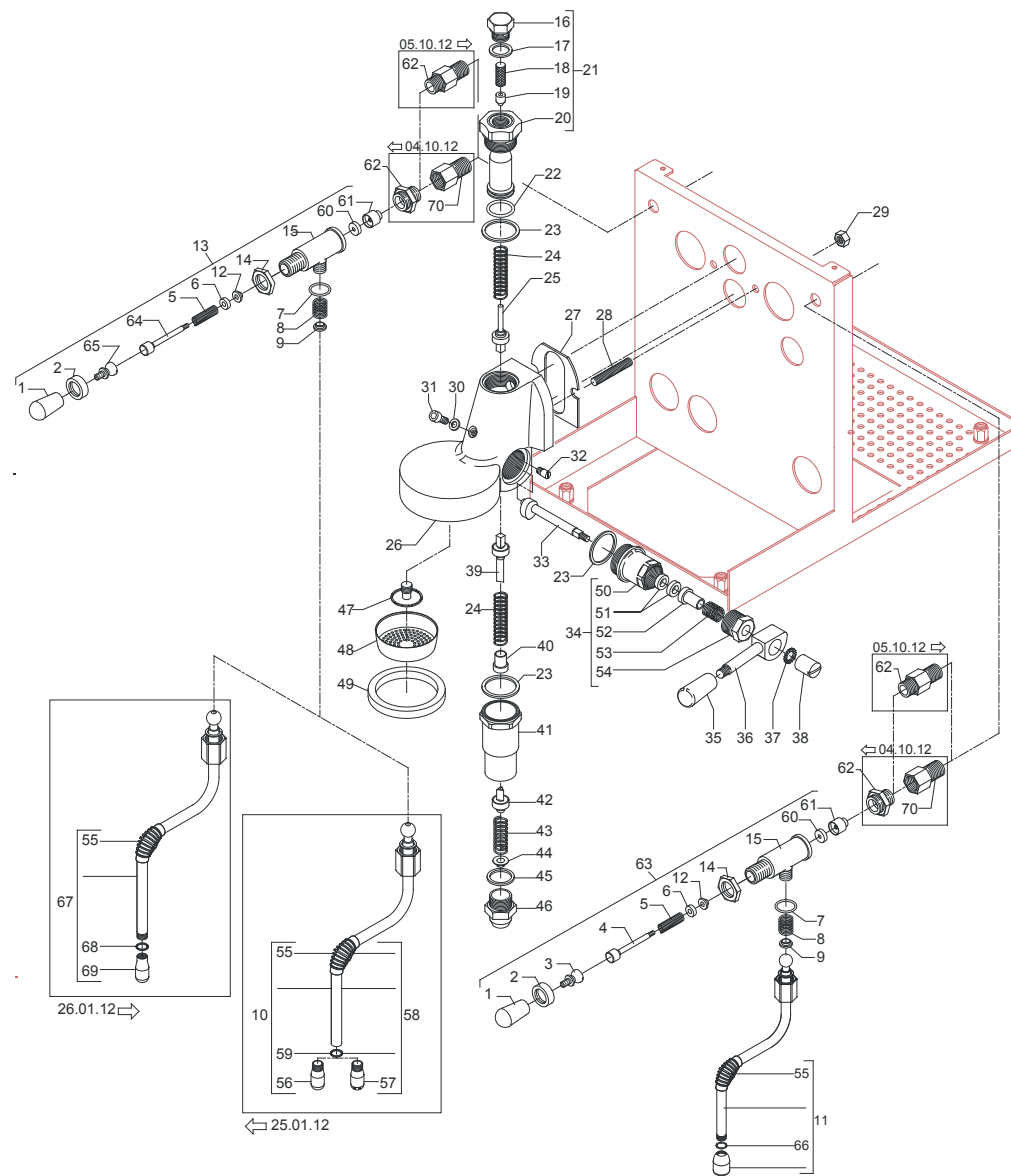


TABLE 4 (from 29.01.14)

POS	CODE	DESCRIPTION
1	7371511.01	LEVER KNOB
2	5222823CM	RING NUT 3/8"G H17
3	5225608	ARTICULATION M8 INOX
4	5260203DL	SHAFT D12X47
5	5471513	SPRING
6	5261801	WASHER D11
7	7496072	OR GASKET 121
8	5471532	SPRING
9	5190501	COMPLETE CUP
11	7479985.01TW	ASSEMBLY WATER HOSE
12	5494004	GASKET D12 X 6 PTFE GRAPHITIZED
13	5964085.01AL	ASSEMBLY TAP WITH OR
14	5221826CM	NUT 3/8"G ES.22X5
15	5283055TW	TAP BODY OT FOR OR
16	7479952	UPPER ASSY PLUG
17	7479953	GASKET TF 22X17X2
18	7479954	INOX FILTER Ø8,5X22
19	7479955	INJECTOR M6X0,75 FORO Ø0,7
20	7479956	UPPER SLEEVE ASSY
21	7479933	INJECTOR Ø0.7 UPPER SLEEVE ASSY
22	7479934	GASKET OR 128 VITON
23	7479935	GASKET TF Ø35X30X2
24	7479936	DELIVERY VALVE SPRING
25	7479937	DELIVERY VALVE ASSY
26	7479940	DELIVERY GROUP BODY
27	7493011	INSULATING
28	5267013	TIE ROD M8 X 31 ASTM A193
29	7812607	NUT M8 UNI 5587 ASTM A194
30	7479938	GASKET TF Ø10X6X1
31	7479939	SCREW TCE M6X8
32	7479951	CAM STOP PIN
33	7479950	CAM SHAFT
34	7479949	CAM FLANGE ASSY
35	7371511.01	LEVER KNOB
36	7479931	DELIVERY LEVER
37	7479947	WASHER Ø8
38	7479948	CAP Ø15XM6
39	7479946	ASSEMBLY VALVE
40	7479942	SPRING GUIDE BUSHING
41	7479957	LOWER SLEEVE ASSY
42	7479943	ASSEMBLY RELIEF VALVE
43	7479944	DRAIN SPRING
44	7479945	JET-BREAKER BUSHING Ø15X6
45	7479960	GASKET TF D26x21x2
46	7479961	GROUP BOTTOM FITTING
47	7479941	SPRAYER Ø30

TABLE 4 (from 29.01.14)

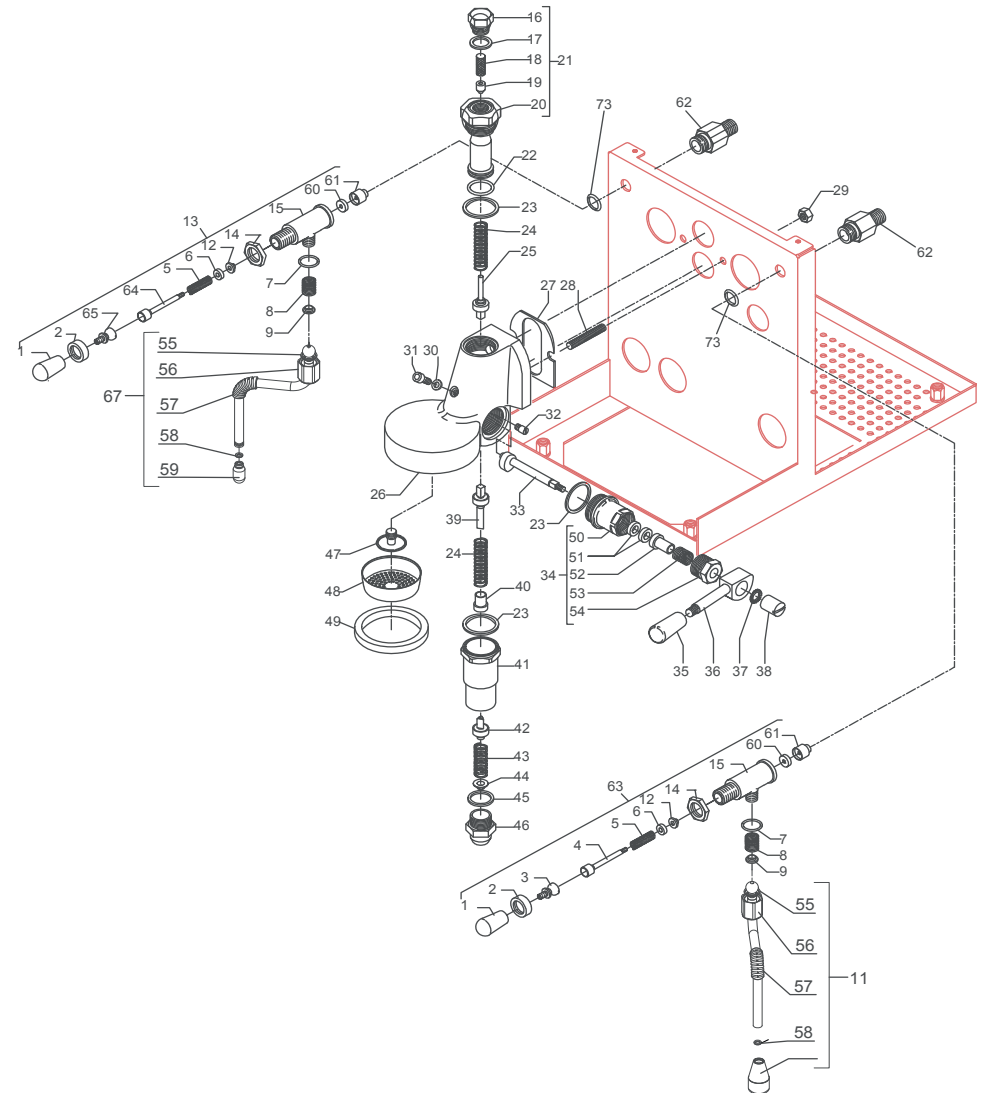
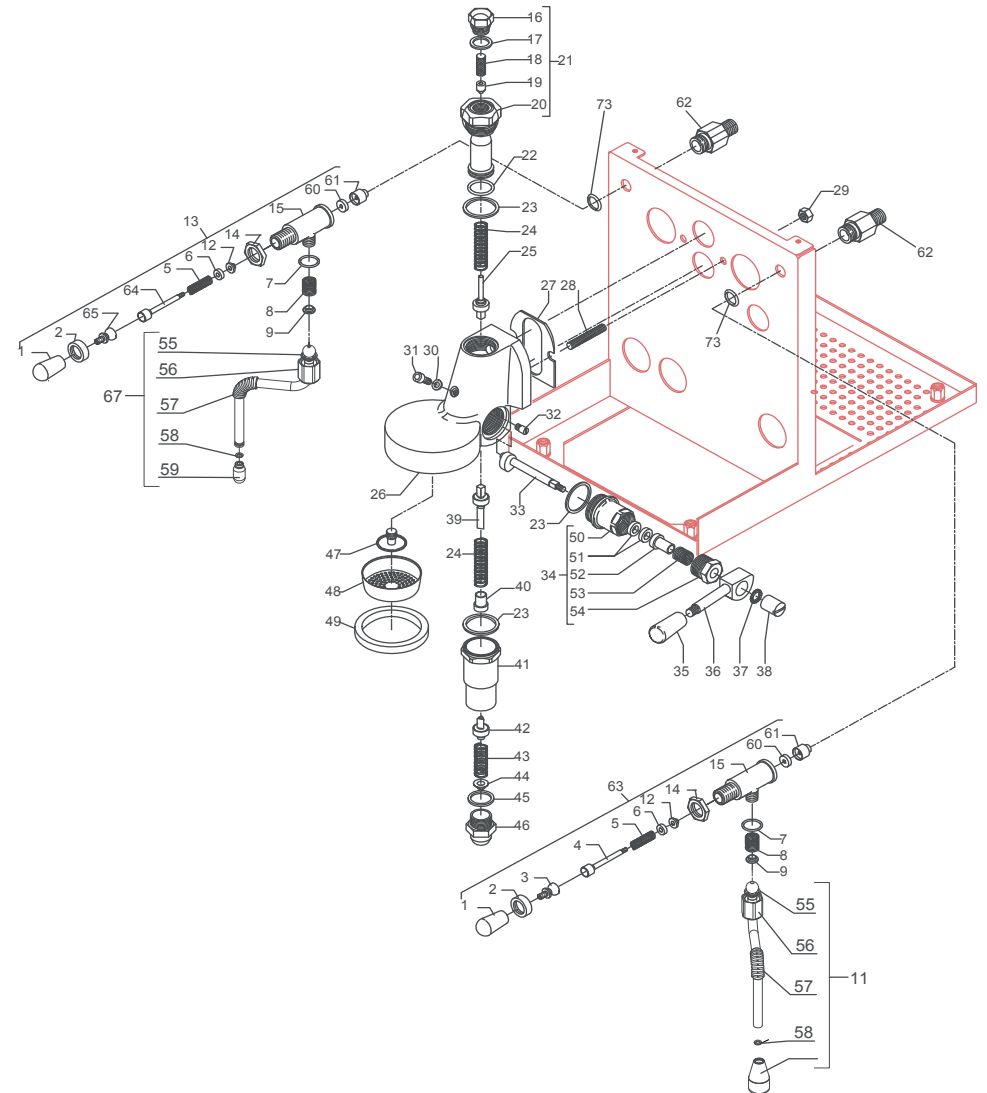


TABLE 4 (from 29.01.14)

POS	CODE	DESCRIPTION
48	5471022	SHOWER FILTER
49	5493039	UNDERCUP GASKET
50	7479967	CAM FLANGE
51	7479968	WASHER EP709 15,5X7,5X4
52	7479969	BUSHING
53	7479970	SPRING
54	7479971	PLUG CHROMED
55	5494017	ARTICULATION GASKET
56	5221872TW	NUT 3/8"G
57	7371003	INSULATING
58	7496084	GASKET
59	7305014	TERMINAL 2 HOLES
60	5496042	GASKET D11X4X4 EPT 70 (C6)
61	5224603TP	GASKET-HOLDER
62	5225417TP	FITTING M14XM13 WHIT OR
63	5964084.01AL	ASSEMBLY TAP WITH OR
64	5260204DL	SHAFT D12X47
65	5225610	ARTICULATION M8 INOX
67	7479990.01TW	ASSEMBLY STEAM HOSE TERMINAL 2 HOLES
73	7496052	OR GASKET 114

TABLE 4 (from 29.01.14)



## TABLE 5 Mod. PM (up to 31.11.15)

POS	CODE	DESCRIPTION
1	7661033.01	LEVEL REGULATOR 3 PROBES 110/120V
1	7661034.01	LEVEL REGULATOR 3 PROBES 220/230V
1	7661035.01	LEVEL REGULATOR 3 PROBES 240V
2	7635418	RELAY 16A 110V 2 CONTACTS FASTON
2	7635419	RELAY 16A 230V 2 CONTACTS FASTON
2	7635420	RELAY 16A 240V 2 CONTACTS FASTON
3	7819404	TAPPING SCREW TPS D4.8X16 UNI 6955 A2
4	7816017	SCREW TCEI M4X6
5	5035709.01LL	ELECTRIC PARTS SUPPORT PLATE
6	7814001	WASHER D4 DIN 6798A A2
7	7819908	SCREW TTEI M4X8
8	7555001	CABLE WITH SCHUKO PLUG
8	7552001	CABLE WITH AUSTRALIAN PLUG
8	7555003	CABLE WITH SWITZERLAND PLUG
8	7551001	CABLE WITH USA PLUG 125V 15A
8	7551003	CABLE WITH USA PLUG 250V 20A
9	7614006	NUT PG13,5
10	7614007	CABLE-PRESS PG13,5
11	7663005R	FILTER RC
12	7633906	MICROSWITCH 250V
13	5221875CM	NUT M10X0,75
14	7633326	BIPOLAR SWITCH
15	7372507	SWTCH PROTECTION PLASTIC
16	7633622	GREEN LAMP 110/240V
17	7633621	ORANGE LAMP 110/240V

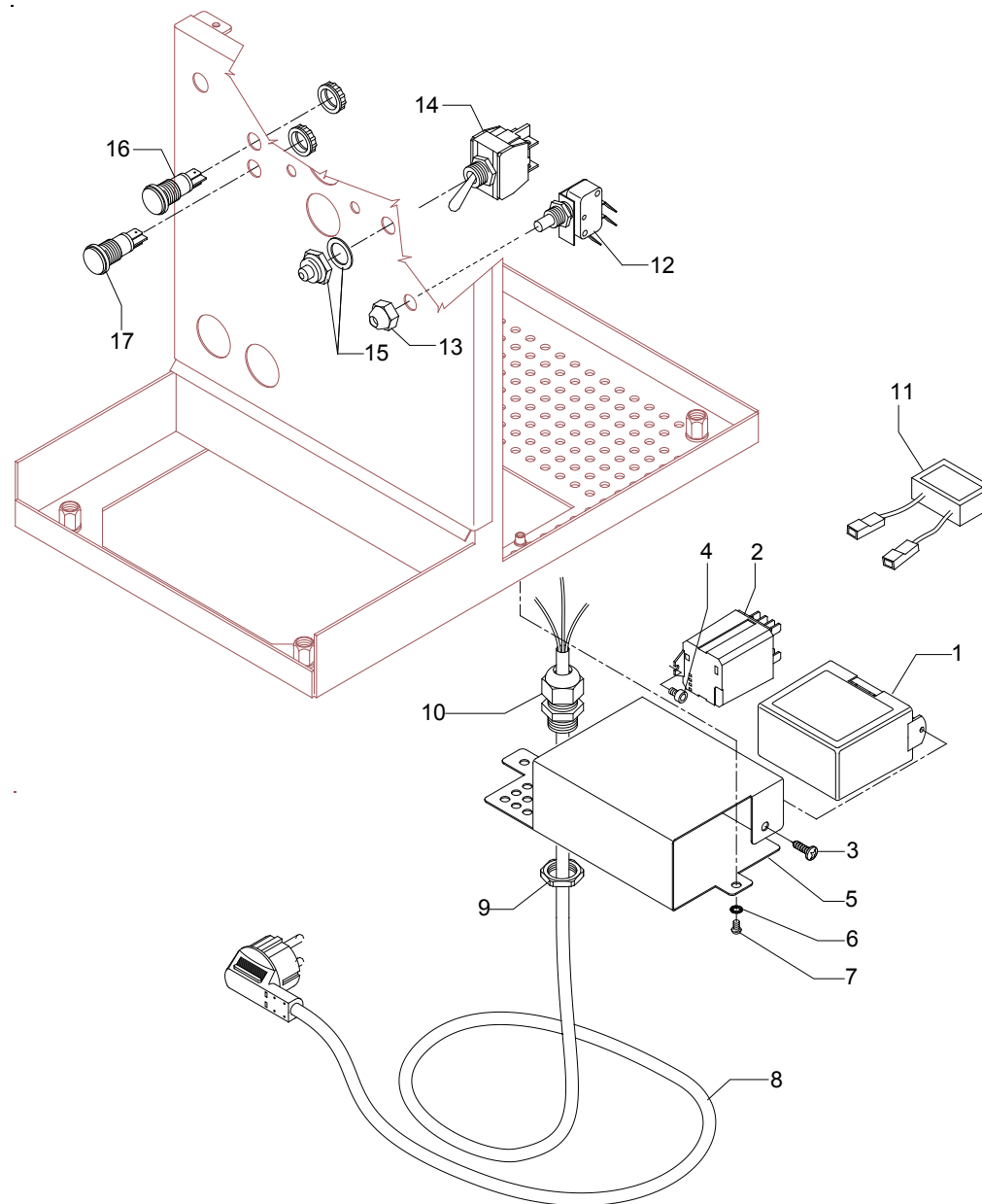
TABLE 5 (up to 31.11.15)  
Mod. PM

TABLE 5 Mod. PM (from 01.12.15)

POS	CODE	DESCRIPTION
1	7661033.02PR	LEVEL REGULATOR 3 PROBES 110/120V
1	7661043.01PR	LEVEL REGULATOR 3 PROBES 220/240V
2	7635418	RELAY 16A 110V 2 CONTACTS FASTON
2	7635419	RELAY 16A 230V 2 CONTACTS FASTON
2	7635420	RELAY 16A 240V 2 CONTACTS FASTON
3	7819404	TAPPING SCREW TPS D4.8X16 UNI 6955 A2
4	7816017	SCREW TCEI M4X6
5	5035709.02LL	ELECTRIC PARTS SUPPORT PLATE
6	7814001	WASHER D4 DIN 6798A A2
7	7819908	SCREW TTEI M4X8
8	7555001	CABLE WITH SCHUKO PLUG
8	7552001	CABLE WITH AUSTRALIAN PLUG
8	7555003	CABLE WITH SWITZERLAND PLUG
8	7551001	CABLE WITH USA PLUG 125V 15A
8	7551003	CABLE WITH USA PLUG 250V 20A
9	7614006	NUT PG13,5
10	7614007	CABLE-PRESS PG13,5
11	7663005R	FILTER RC
12	7633906	MICROSWITCH 250V
13	5221875CM	NUT M10X0,75
14	7633326	BIPOLAR SWITCH
15	7372507	SWTCH PROTECTION PLASTIC
16	7633624	GREEN LAMP 110/230V
17	7633625	ORANGE LAMP 110/230V
18	5074468.01SG	GROUP FRONTAL MAGICA PM

TABLE 5 (from 01.12.15)  
Mod. PM

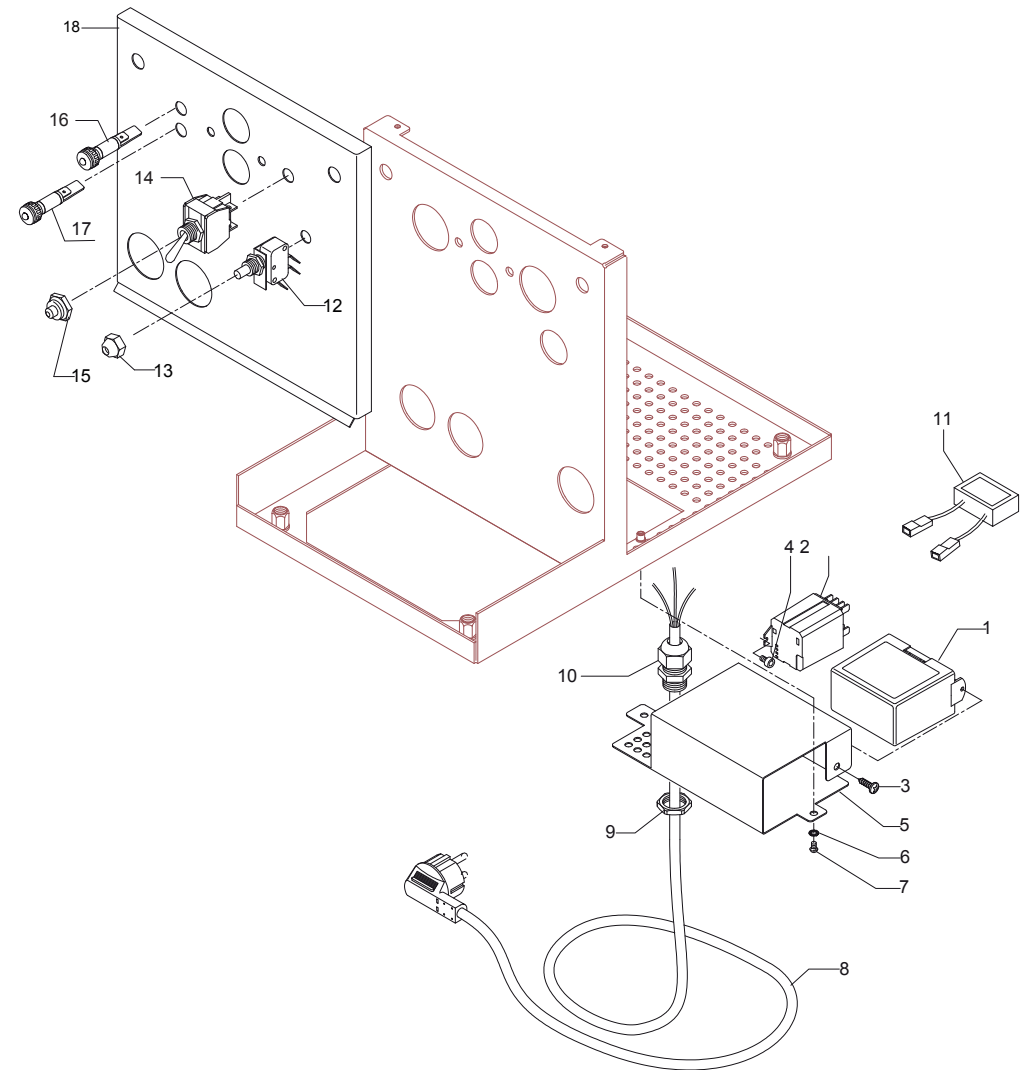




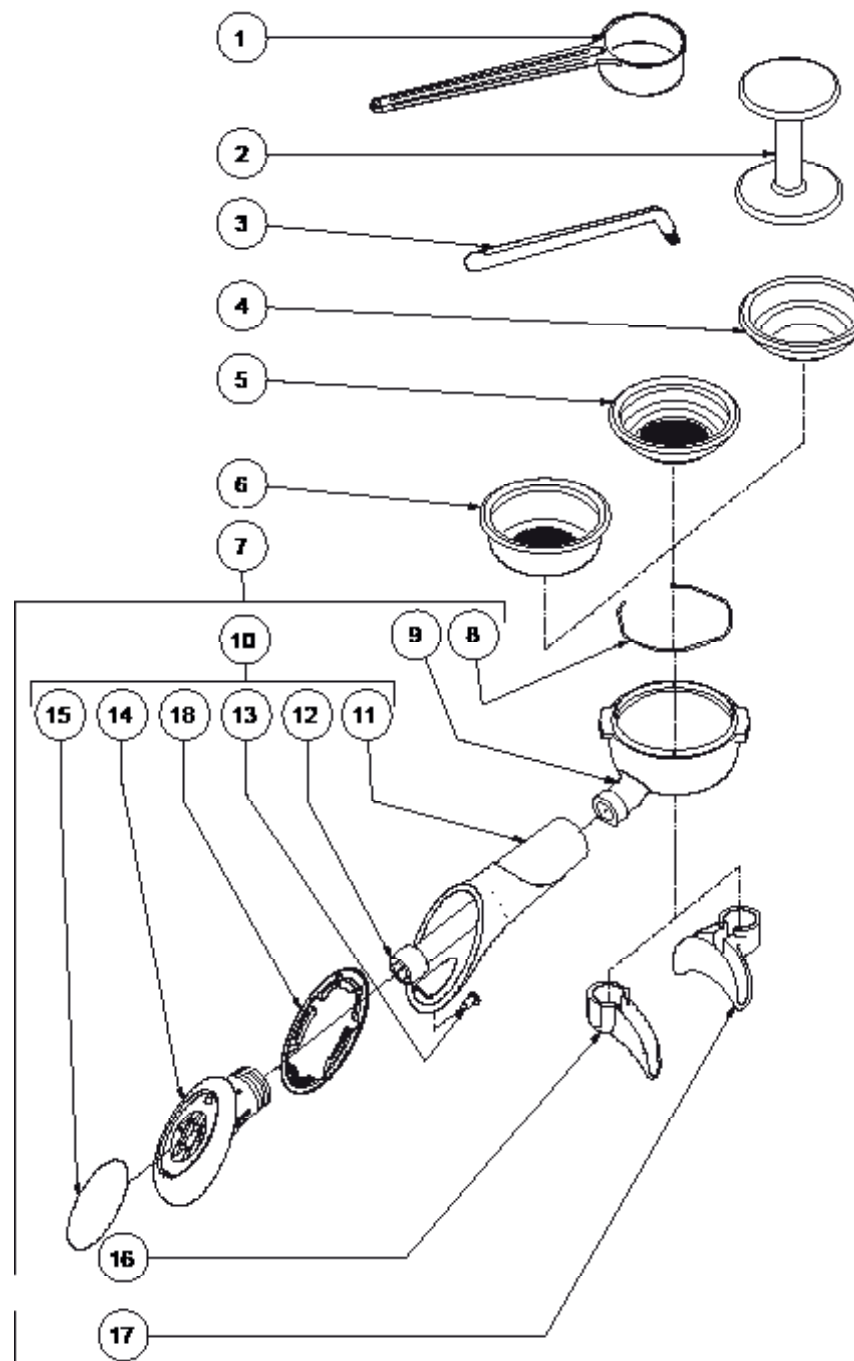


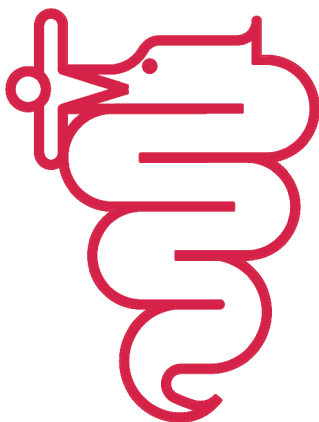


TABLE 6 (from 03.12.12)

POS	CODE	DESCRIPTION
1	7990603	CLEANING BRUSH
2	5373001	COFFEE-PRESS
3	5372101	MEASURER
4	5471003	BLIND FILTER
5	5471031.01	FILTER 1 CUP 8 GRAMS WITH RUN CHANNEL
6	5471021.01	FILTER 2 CUPS 12 GRAMS WITH RUN CHANNEL
6	5471026.01	FILTER 2 CUPS 14 GRAMS WITH RUN CHANNEL
6	5471035	FILTER 2 CUPS 16 GRAMS WITH RUN CHANNEL
7	5965588R	ASSEMBLY COMPLETE FILTER-HOLDER 1 CUP
7	5965590R	ASSEMBLY COMPLETE FILTER-HOLDER 2 CUPS
8	5471527	FILTER-HOLDER SPRING D1.2 AISI 302
9	7479972.01TW	FILTER-HOLDER
10	5978508	KNOB
11	5371203	HANDLE
12	7816026	SCREW TCEI M12X60
13	7809806	SCREW TC M3.5X8 (up to 18.06.15)
13	7809810	SCREW TC M3.5X10 (from 19.06.15)
14	5371204	PLUG CHROMED
15	5371205	PLATE WITH LOGO
16	7305006TW	SPOUT 1 WAY
17	7305007TW	SPOUT 2 WAY
18	7493021	GASKET (from 19.06.15)

TABLE 6 (from 03.12.12)





**BEZZERA**

**Dal 1901**

G.BEZZERA S.R.L.

MACCHINE PER CAFFE' ESPRESSO

Via Luigi Bezzera,1

20088 Rosate - Milano - Italy

Tel. ++39 02 90848102 r.a. - Telefax ++39 02 90870287

Web: [www.bezzera.com](http://www.bezzera.com)

e-mail: [admin@bezzera.it](mailto:admin@bezzera.it)